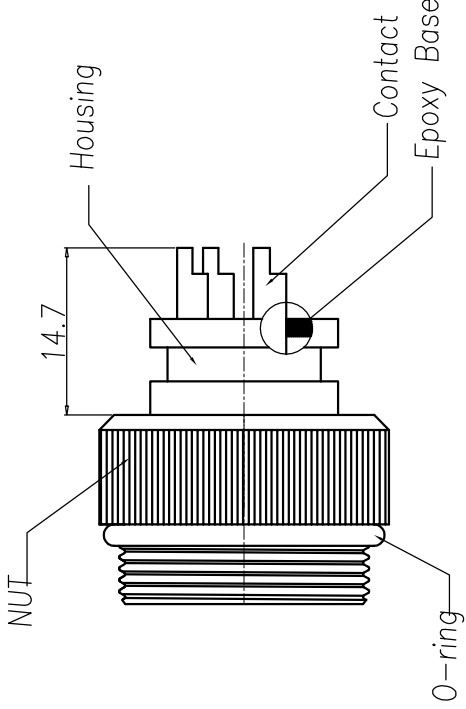
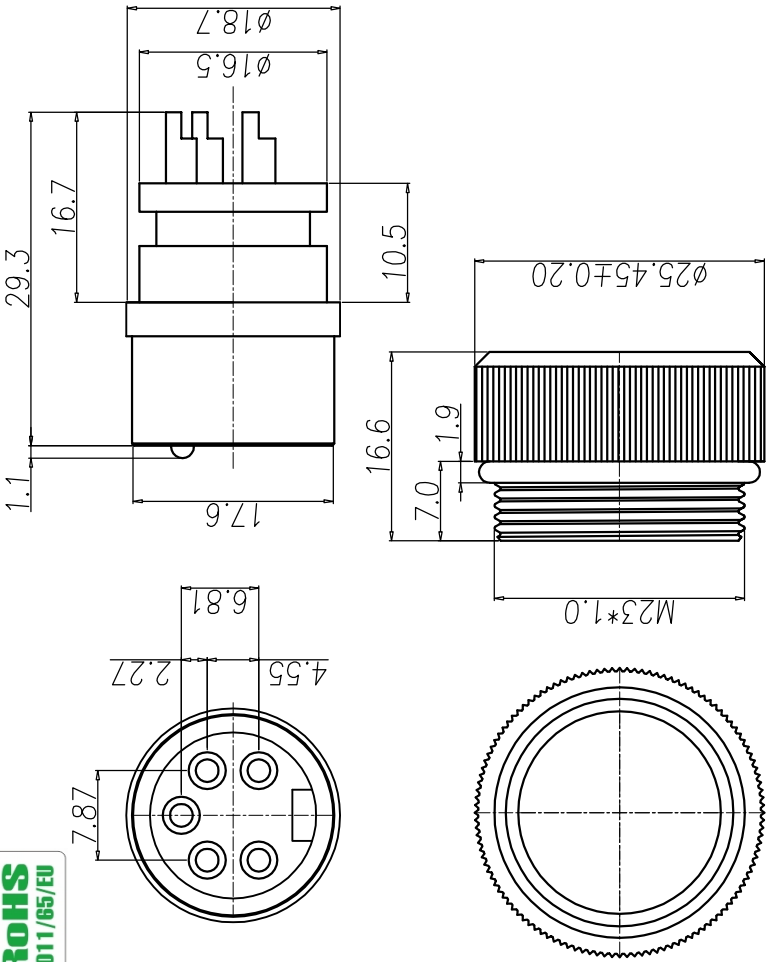


REV.	DESCRIPTION	APPROVED BY	DATE	ECN NO.
A	RELEASE	KUNG	11/01/19	
B				
C				

* SUBJECT TO CHANGE WITHOUT NOTICE



- MATERIAL :
 - HOUSING : PBT UL94V-0 ; COLOR : YELLOW.
 - CONTACT : BRASS
 - NUT : BRASS
 - O-RING : NBR ; COLOR : BLACK
- FINISH :
 - CONTACT : 30 MICRO INCHES MIN. GOLD PLATED UNDER PLATE : NICKEL
 - NUT : NICKEL PLATED
- ELECTRICAL SPECIFICATION :
 - Rated current : 20A
 - Rated voltage : 125V
 - Water proof : IPX8
- Environmental :
 - Operation Temperature : -20°C~85°C

TABLE A

WP-03M2-104-11	WP-04M2-168-11	WP-05M2-54
LONG PIN	LONG PIN	LONG PIN

DRAWN	Ku Chou	APP'D	KUNG	UNIT	mm	TOLERANCE	°	ANGLE	±1°	SHEET	1	VERSION	A
CHK'D	Emily Suen			SCALE	1:1	±0.20 ±0.10 ±0.05 ±0.03	°						
PART NO.		DWG NO.		TITLE		M23 3Pin Male Connector for Cable.							
WP-03M2-104-11		WP-03M2-104-11		QC5333									

JKL TECHNOLOGY CO., LTD.

