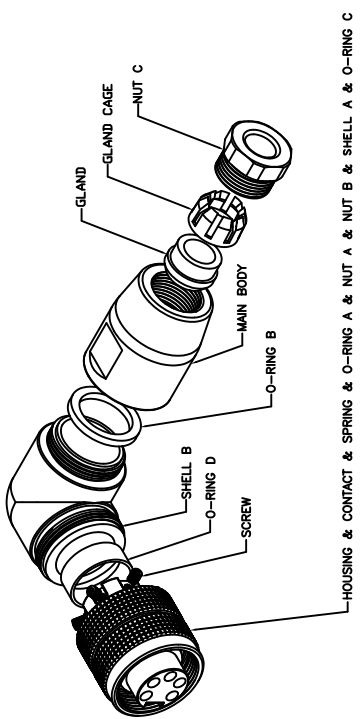


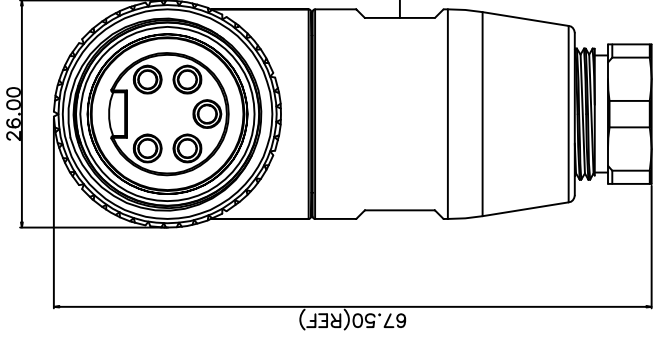
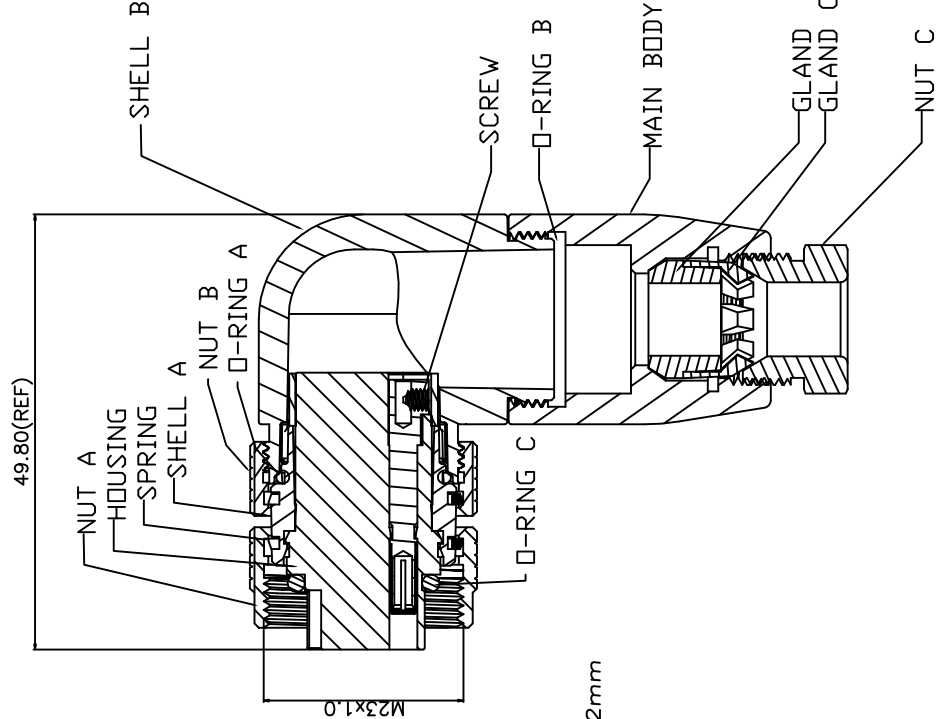
| | | | | |
|------|-------------|-------------|----------|---------|
| REV. | DESCRIPTION | APPROVED BY | DATE | ECN NO. |
| A | RELEASE | KUNG | 20/10/17 | |
| B | | | | |
| C | | | | |

* SUBJECT TO CHANGE WITHOUT NOTICE



ASSEMBLY INSTUCTION

- MATERIAL :
 - HOUSING : TPU ; COLOR : YELLOW.
 - SPRING : STAINLESS STEEL.
 - O-RING A : NBR ; COLOR : BLACK.
 - NUT A : BRASS.
 - NUT B : BRASS.
 - SHELL A : ALUMINIUM ALLOY
 - SHELL B : ALUMINIUM ALLOY
 - CONTACT : BRASS.
 - SCREW : ALLOY STEEL
 - MAIN BODY : ALUMINIUM ALLOY
 - GLAND : SILICONE COLOR : BLACK.
 - GLAND CAGE : POM ; COLOR : WHITE.
 - NUT C : ALUMINIUM ALLOY
 - O-RING B : SILICONE ; COLOR : BLACK.
 - O-RING C : EPDM ; COLOR : BLACK.
 - O-RING D : SILICONE ; COLOR : BLACK
- FINISH :
 - NUT A : NICKEL PLATED OVER ALL
 - NUT B : NICKEL PLATED OVER ALL
 - SHELL A : NICKEL PLATED OVER ALL
 - SHELL B : NICKEL PLATED OVER ALL
 - CONTACT : GOLD FLASH MIN. GOLD PLATED.
 - SCREW: NICKEL PLATED OVER ALL
 - MAIN BODY : NICKEL PLATED OVER ALL
 - NUT C : NICKEL PLATED OVER ALL
- ELECTRICAL SPECIFICATION :
 - Rated current : 20A
 - Rated voltage : 250V
 - Water proof: IP67
- Environmental :
 - Operation Temperature : -40°C~85°C



| P/N | MATERIAL |
|----------------|-------------------------------|
| WP-05F2-115-11 | TPU UL94V-0 ; COLOR : YELLOW. |
| WP-05F2-134-11 | PBT+GF15% ; COLOR : YELLOW. |

| | | | | | | | | | | | |
|--------------------------|------------|--|------|----------|-----|----------------------------------|-------|---------|------------|---------|---|
| DRAWN | Ku Chou | APP'D | KUNG | UNIT | mm | TOLERANCE | SCALE | 1:1 | ANGULA ±1° | SHEET | 1 |
| CHK'D | Emily Suen | | | SCALE | 1:1 | ±0.20 ±0.10 ±0.05 ±0.03 | | | | VERSION | A |
| TITLE | | M23 5Pin Female 90° Field Attachable Screw-in Type Connector | | PART NO. | | WP-05F2-115-11 | | DWG NO. | | QC7436 | |
| JKL TECHNOLOGY CO., LTD. | | | | | | | | | | | |