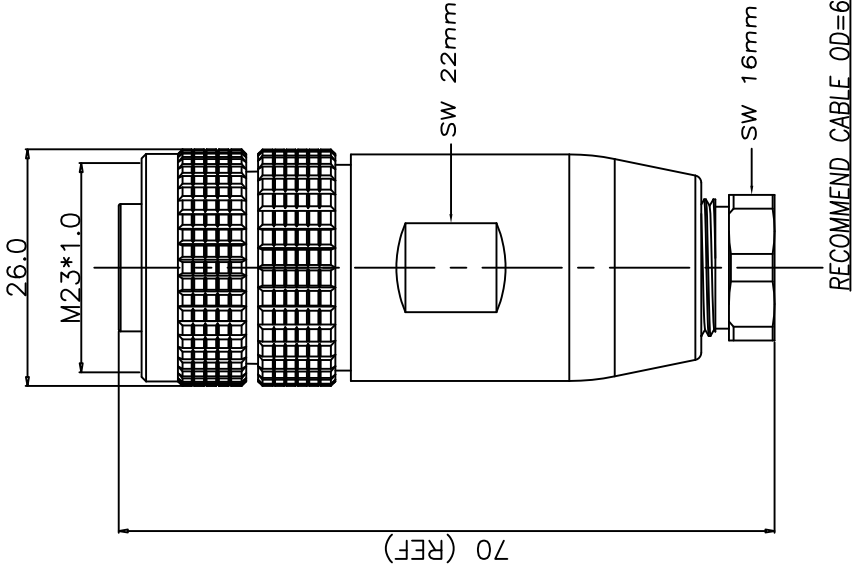
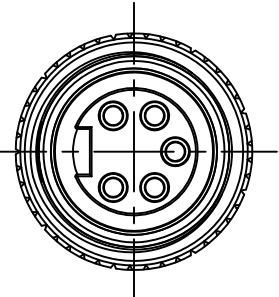
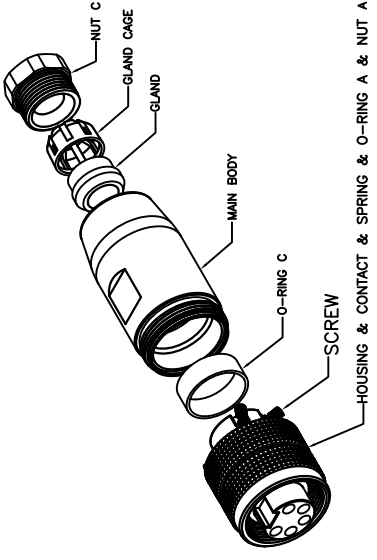


REV.	DESCRIPTION	APPROVED BY	DATE	ECN NO.
A	RELEASE	KUNG	25/10/11	
B				
C				

\* SUBJECT TO CHANGE WITHOUT NOTICE



ASSEMBLY INSTUCTION



- MATERIAL :
  - HOUSING : TPU ; COLOR : YELLOW.
  - SPRING : STAINLESS STEEL.
  - O-RING A : EPDM ; COLOR : BLACK.
  - NUT A : BRASS.
  - NUT B : BRASS.
  - SHELL : ALUMINIUM ALLOY
  - SCREW : ALLOY STEEL
  - O-RING B : NBR ; COLOR : BLACK.
  - CONTACT : BRASS.
  - MAIN BODY : ALUMINIUM ALLOY
  - GLAND : SILICONE ; COLOR : BLACK.
  - GLAND CAGE : POM ; COLOR : WHITE.
  - NUT C : ALUMINIUM ALLOY
  - O-RING C : SILICONE ; COLOR : BLACK
- FINISH :
  - NUT A : NICKEL PLATED OVER ALL
  - NUT B : NICKEL PLATED OVER ALL
  - SHELL : NICKEL PLATED OVER ALL
  - CONTACT : GOLD FLASH ON OVER ALL
  - SCREW : NICKEL PLATED OVER ALL
  - MAIN BODY : NICKEL PLATED OVER ALL
  - NUT C : NICKEL PLATED OVER ALL
- ELECTRICAL SPECIFICATION :
  - Rated current : 20A
  - Rated voltage : 250V
  - Water proof : IP67
- Environmental :
  - Operation Temperature : -40℃~85℃

1 2 3 4

DRAWN	Ku Chou	APP'D	KUNG	UNIT	mm	TOLERANCE	±0.20 x ±.xx .xx ±0.10 xxx ±0.05 xxxx ±0.03 ANGULA ±1°	JKL TECHNOLOGY CO., LTD.	TITLE	M23 5Pin Female Field Attachable Screw-in Type Connector.	SHEET	1	
CHK'D	Emily Suen			SCALE	1:1			PART NO.	WP-05F2-117-11	DWG NO.	QC7451	VERSION	A