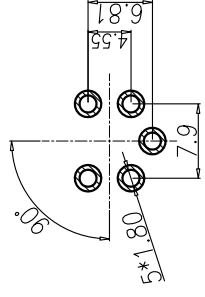
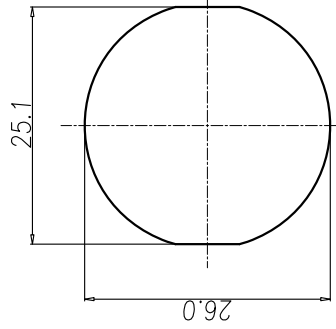
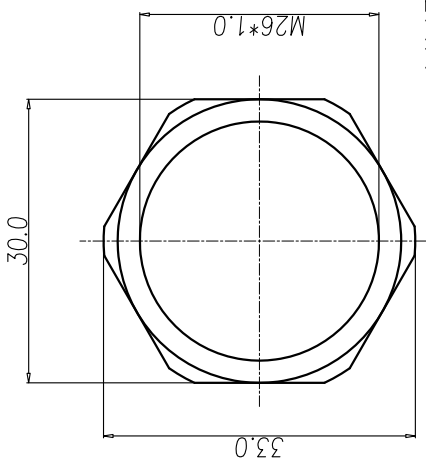
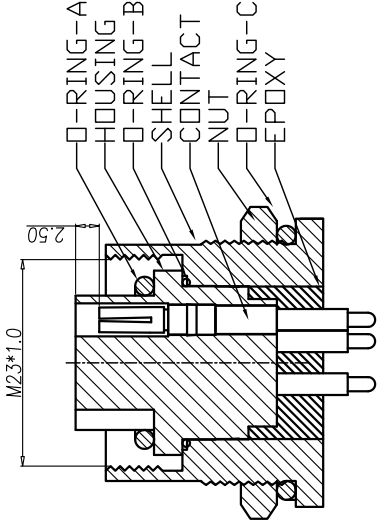
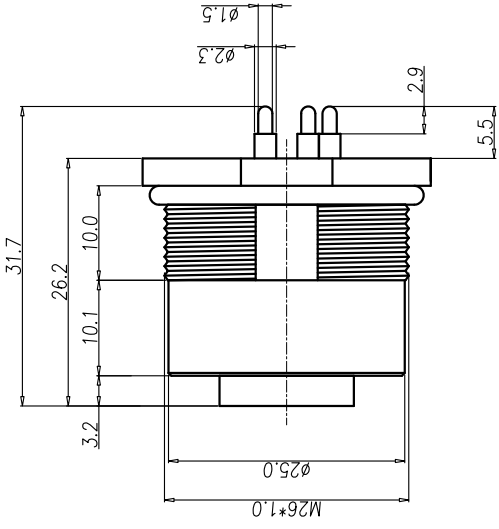
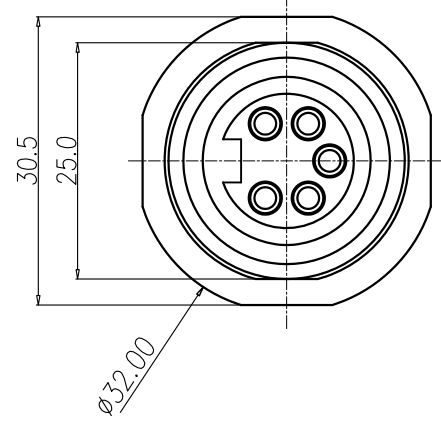


REV.	DESCRIPTION	APPROVED BY	DATE	ECN NO.
A	RELEASE	KUNG	29/12/10*	
B				
C				

\* SUBJECT TO CHANGE WITHOUT NOTICE



RECOMMEND PANEL CUT-OUT

RECOMMEND P.C.B LAYOUT

- MATERIAL :
  - 1-1. HOUSING : PBT UL94V-0 ; COLOR : YELLOW
  - 1-2. CONTACT : BRASS
  - 1-3. SHELL : ALUMINUM
  - 1-4. NUT : ALUMINUM
  - 1-5. O-RING-A : NBR; COLOR : BLACK
  - 1-6. O-RING-B : NBR; COLOR : BLACK
  - 1-7. O-RING-C : NBR; COLOR : BLACK
- FINISH :
  - 2-1. CONTACT : 30 MICRO INCHES MIN. GOLD PLATED
  - 2-2. SHELL : NICKEL PLATED OVER ALL
  - 2-3. NUT : NICKEL PLATED OVER ALL
- ELECTRICAL SPECIFICATION :
  - 3-1. Rated current : 20A
  - 3-2. Rated voltage : 250V
  - 3-3. Water proof : IPX7
- Environmental :
  - 4-1. Operation Temperature : -20 to +85c

NUT

DRAWN	Ku Chou	APP'D	KUNG	UNIT	mm	TOLERANCE	x ±0.20 .xx ±0.10 .xxx ±0.05 .xxxx ±0.03 ANGLE ±1°	 	JKL TECHNOLOGY CO., LTD.	TITLE	M23 5Pin Female Front Panel Mount Connector.	SHEET	1	
CHK'D	Emily Suen			SCALE	1:1				PART NO.	WP-05F2-48	DWG NO.	QC4673	VERSION	A