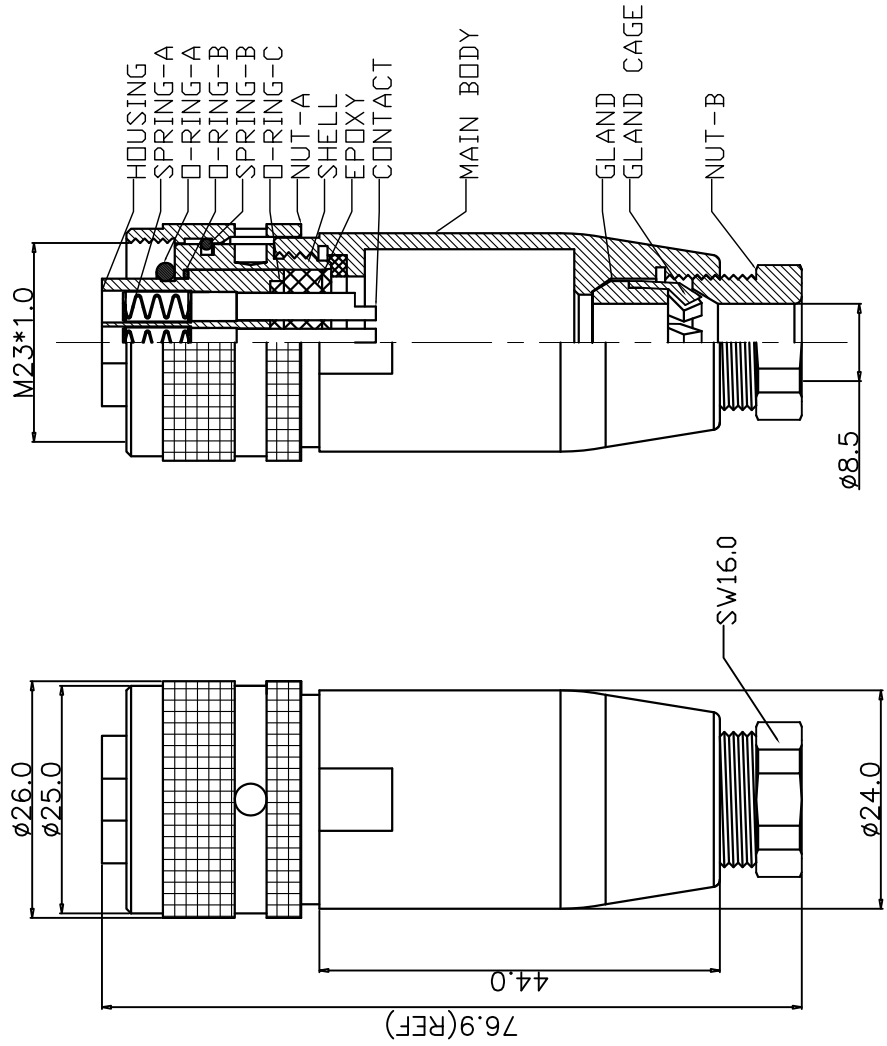
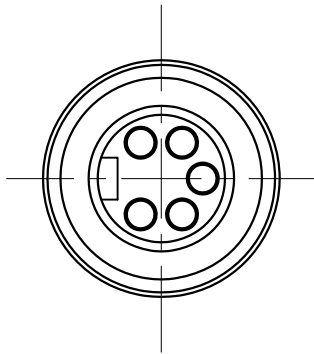


REV.	DESCRIPTION	APPROVED BY	DATE	ECN NO.
A	RELEASE	KUNG	20/10/17	
B				
C				

F  
E  
D  
C  
B  
A

\* SUBJECT TO CHANGE WITHOUT NOTICE



- MATERIAL :
  - HOUSING : PBT UL94V-0 ; COLOR : BLACK.
  - SPRING-A : PHOSPHOR BRONZE.
  - O-RING-A : EPDM ; COLOR : BLACK.
  - O-RING-B : SILICONE ; COLOR : BLACK.
  - SPRING-B : STAINLESS STEEL.
  - O-RING-C : SILICONE ; COLOR : BLACK.
  - NUT-A : BRASS.
  - SHELL : BRASS.
  - CONTACT : BRASS.
  - MAIN BODY : ALUMINUM ALLOY.
  - GLAND : SILICONE COLOR : BLACK.
  - GLAND CAGE : POM ; COLOR : WHITE.
  - NUT-B : ALUMINUM ALLOY.
- FINISH :
  - SPRING-A : MATTE TIN.
  - NUT-A : SATING NICKEL PLATED OVER ALL
  - SHELL : SATING NICKEL PLATED OVER ALL
  - CONTACT : 30 MICRO INCHES MIN. GOLD PLATED.
  - MAIN BODY : SATING NICKEL PLATED OVER ALL
  - NUT-B : SATING NICKEL PLATED OVER ALL
- ELECTRICAL SPECIFICATION :
  - Rated current : 20A
  - Rated voltage : 250V
  - Water proof : IP67
- Environmental :
  - Operation Temperature : -40°C~85°C

DRAWN	Ku Chou	APP'D	KUNG	UNIT	mm	TOLERANCE	±0.20 ±0.10 ±0.05 ±0.03 ANGULA ±1°	ANGLE	±1°		
CHK'D	Emily Suen	SCALE	1:1	SCALE	1:1	SCALE	1:1	SCALE	1:1		
KUNG			KUNG			KUNG			KUNG		
Ku Chou				APP'D				KUNG			
Emily Suen				CHK'D				KUNG			
TITLE			M23 5Pin Female Field Attachable Solder Type Connector.			PART NO.			WIP-05F2-65		
DWG NO.			QC5642			VERSION			A		

JKL TECHNOLOGY CO., LTD.



SHEET

VERSION