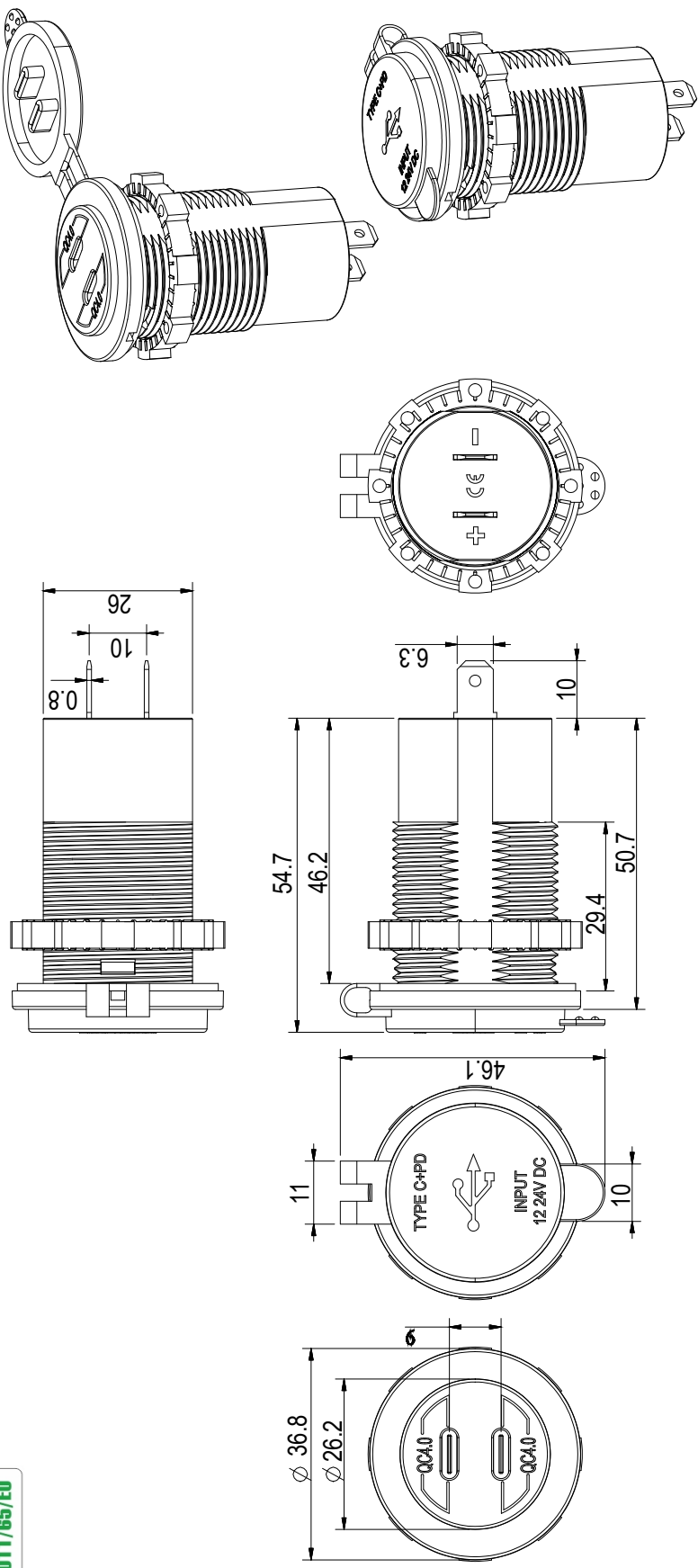


REV.	DESCRIPTION	APPROVED BY	DATE	ECN NO.
A	RELEASE	KUNG	2023/03/17	
B				
C				

* SUBJECT TO CHANGE WITHOUT NOTICE



Electrical:
 USB type :Type CX1,Type CX1
 The number of USB Ports :2
 Normal voltage :24VDC
 Operating Voltage :9V-30VDC
 Peak Voltage :34VDC(max)(3-4seconds)
 USB Type C-1 output :
 QC4.0(5V/3A/15W,9V/3A/27W,15V/3A/45W,20V/3A/60W)
 USB Type C-1 output:
 QC4.0(5V/3A/15W,9V/3A/27W,15V/3A/45W,20V/3A/60W)
 Current Draw Quiescent current :5MA

Life : 5000 operating cycles
 Sealing : IP65
 Terminals : Copper / nickel plating 1/4"(6.3mm)
 Operating Temperature : -20~+80°C
 Panel Opening :29.2x26.2mm
 Low-voltage protection : YES (Lower than 40V)
 Over current protection : Yes
 Over temperature protection : Yes
 Short circuit protection : Yes
 Reverse polarity protection : Yes

DRAWN	Ku Chou	APP'D	KUNG		UNIT	mm		TOLERANCE	± 0.20 ± 0.10 ± 0.05 ± 0.03 ANGLELA $\pm 1^\circ$				JKL TECHNOLOGY CO., LTD.		TITLE	DUAL USB TYPE-C QC4.0 CHARGER , BLACK.	SHEET	1		
CHK'D	Emily Suen				SCALE	1:1									PART NO.	USB2C-QC4.0-BK	DWG NO.	ZS-USB2-AM1-0M-1M	VERSION	A