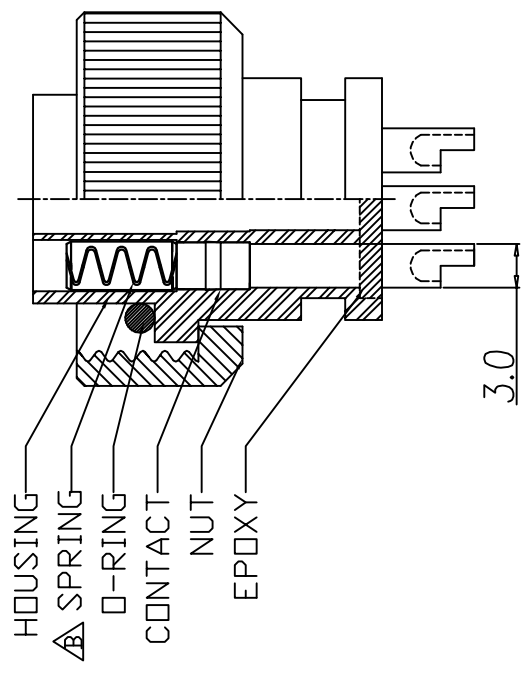
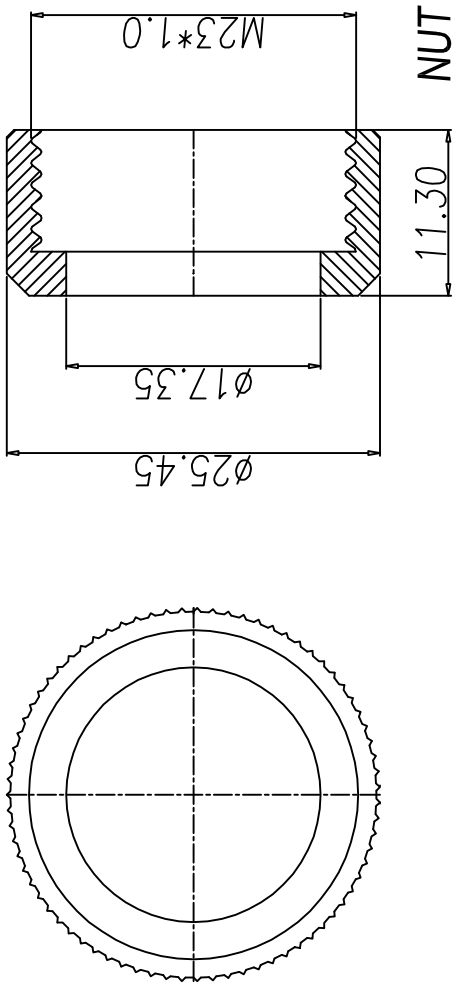
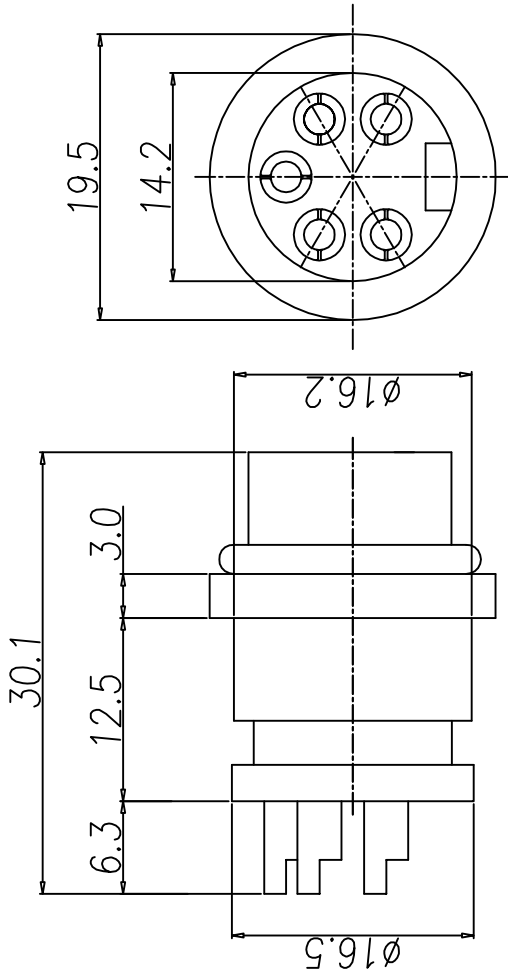




\* SUBJECT TO CHANGE WITHOUT NOTICE



1. MATERIAL :
- 1-1. HOUSING : PBT UL94V-0 ; COLOR : YELLOW
  - 1-2. CONTACT : BRASS
  - 1-3. SPRING : PHOSPHOR BRONZE
  - 1-4. NUT : BRASS
  - 1-5. O-RING : EPDM ; COLOR : BLACK
2. FINISH :
- 2-1. CONTACT : 30u" GOLD PLATED  
UNDER PLATE : NICKEL
  - 2-2. SPRING : MATTE TIN PLATED
  - 2-3. NUT : NICKEL PLATED
3. ELECTRICAL SPECIFICATION :
- 3-1. Rated current : 20A
  - 3-2. Rated Voltage : 125V
  - 3-3. Water proof : IP67
4. Environmental :
- 4-1. Operation Temperature : -40℃~85℃

REV.	DESCRIPTION	APPROVED BY	DATE	ECN NO.
A	RELEASE	KUNG	28/07/20*	
B				
C				

DRAWN	Sony Cui	APP'D	KUNG	UNIT	mm	TOLERANCE	±0.20 x ±0.10 xx ±0.05 xxx ±0.03 xxxx ±0.03 ANGULA ±1'	JKL TECHNOLOGY CO., LTD.	TITLE	M23 5P (F) WATERPROOF CONNECTOR FOR CABLE.	SHEET	1
CHK'D	Emily Suen			SCALE	1:1				PART NO.	WP-05F2-39	VERSION	A
									DWG NO.	QC3943		