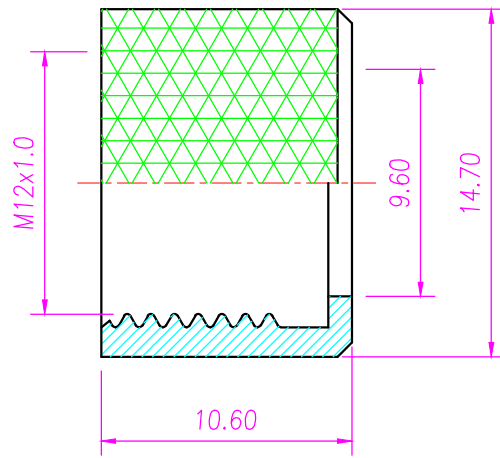
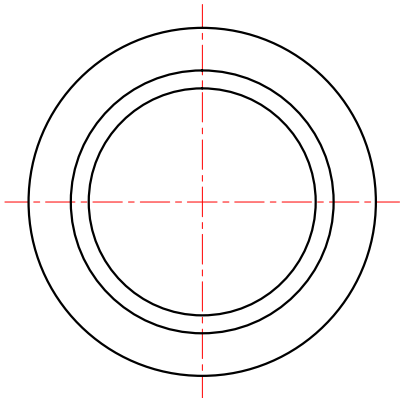
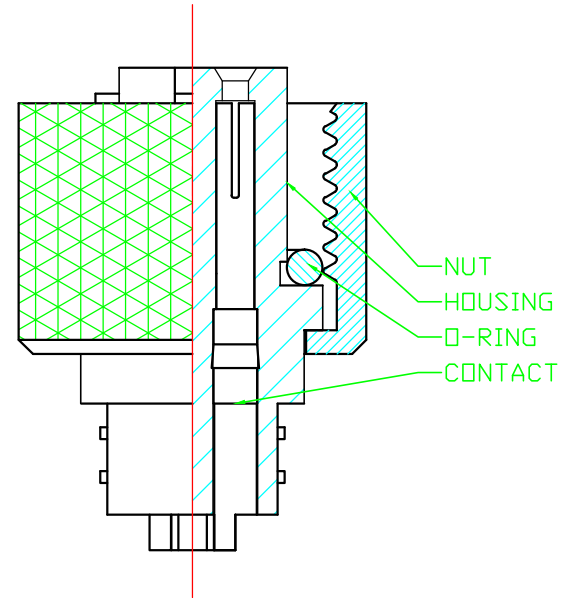
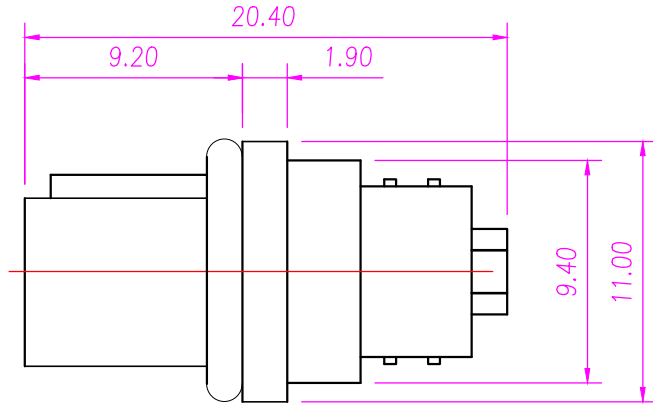
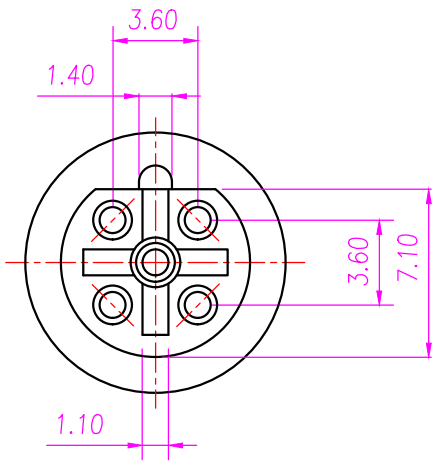




REV.	DESCRIPTION	APPROVED BY	DATE	ECN NO.
A				
B				
C				



1. MATERIAL :
 - 1-1. HOUSING : PBT UL94V-0 ; COLOR : BLACK
 - 1-2. CONTACT : BRASS
 - 1-3. NUT : BRASS
 - 1-4. O-RING :EPDM; COLOR : BLACK(7.5*1.5)
2. FINISH :
 - 2-1. CONTACT : 10 MICRO INCHES MIN. GOLD PLATED UNDER PLATE : NICKEL
 - 2-2.NUT : NICKEL PLATED 60u" ~ 100u" OVER ALL
3. ELECTRICAL SPECIFICATION :
 - 3-1. Rated current : 5A
 - 3-2. Voltage :125V
 - 3-3. Water proof: IPX7
4. Environmental :
 - 4-1. Operation Temperature : -20℃~85℃

NUT

DRAWN	NEIL	APP'D	KUNG	UNIT	mm	TOLERANCE	
CHK'D	T M			SCALE	1:1	.x ±0.20 .xx ±0.10 .xxx ±0.05 .xxxx ±0.03 ANGULA ±1°	

JKL TECHNOLOGY CO., LTD.

TITLE	M12 5 PIN FEMALE, B-CODE FOR CABLE			SHEET	1
PART NO.	WP-05F2-47	DWG.	QC4649	VERSION	A