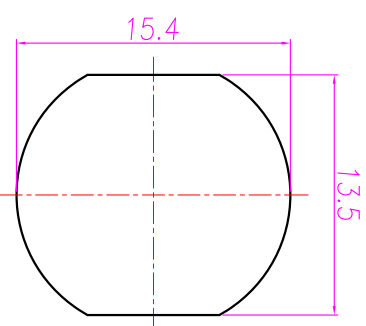
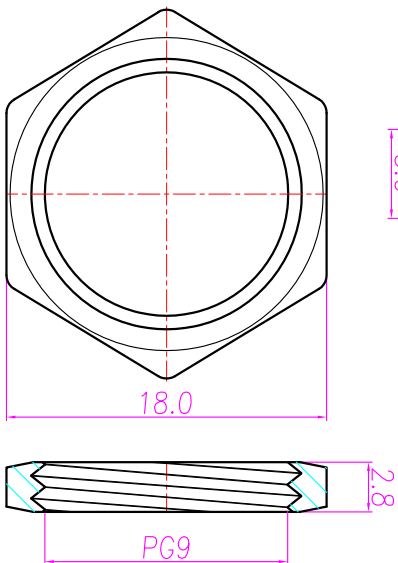
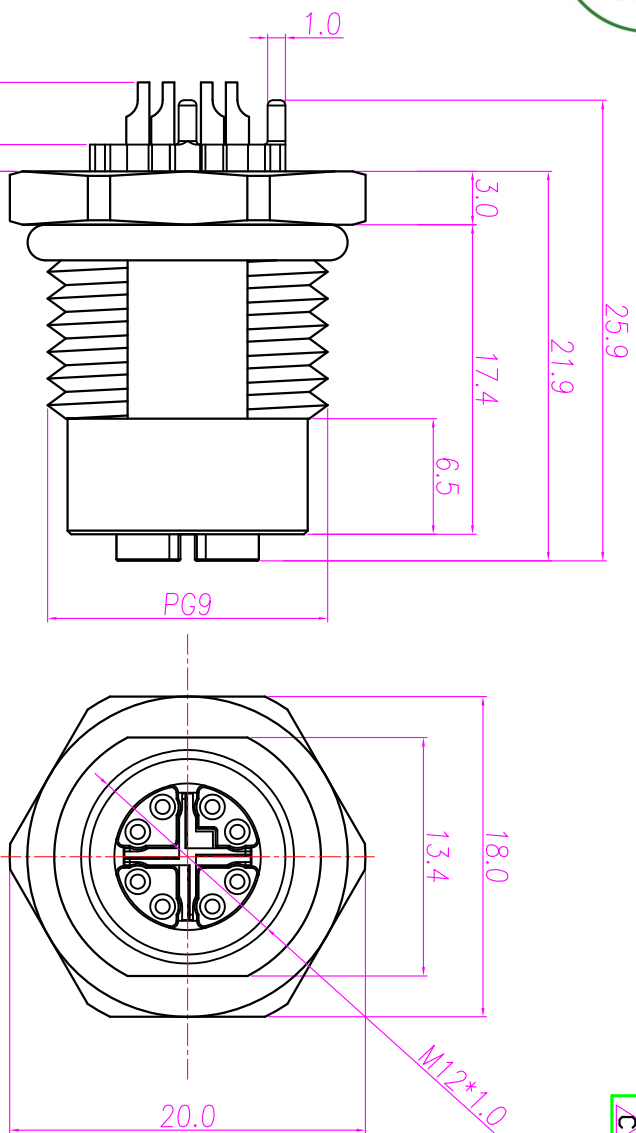


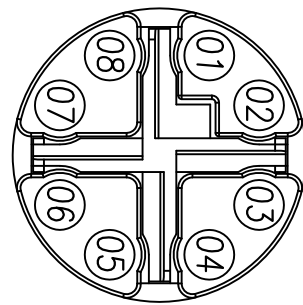


* SUBJECT TO CHANGE WITHOUT NOTICE



NUT

RECOMMEND PANEL CUT-OUT



Pin Assignments

1. MATERIAL :
 - 1-1. HOUSING : PA66 ; COLOR : BLACK
 - 1-2. CONTACT : BRASS
 - 1-3. NUT : BRASS
 - 1-4. SHELL : BRASS
 - 1-5. O-RING : EPDM
 - 1-6. X-SHELL : Zn ALLOY
2. FINISH :
 - 2-1. CONTACT : 10 MICRO INCHES MIN. GOLD PLATED
 - 2-2. NUT : NICKEL
 - 2-3. SHELL : NICKEL PLATED
 - 2-4. X-SHELL : NICKEL PLATED
3. ELECTRICAL SPECIFICATION :
 - 3-1. Rated current : 0.5A
 - 3-2. Rated Voltage : 48V
 - 3-3. Water proof: IPX7
4. Environmental :
 - 4-1. Operation Temperature : -40°C~85°C

REV.	DESCRIPTION	APPROVED BY	DATE	ECN NDL
A	RELEASE	KUNG	04/12/14	
B				
C				

DRAWN	Ku Chou	APPEND	KUNG	UNIT	mm	TOLERANCE	x ±0.20 .xx ±0.05 .xxx ±0.03 .xxxx ±0.03 ANGLE ±1°		JKL TECHNOLOGY CO., LTD.	TITLE	M12 8PIN X-Code (F) FRONT PANEL MOUNT ,Pg9 .	SHEET	1
CHECKED	Emily Suen	SCALE	1:1	PART NO.	WP-08F2-53-11	DWG NDL				QC7051	VERSION	A	