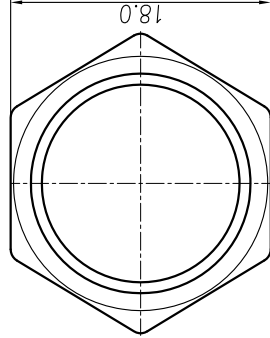
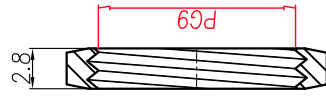
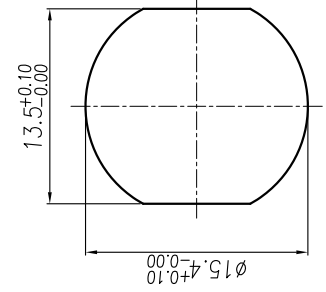
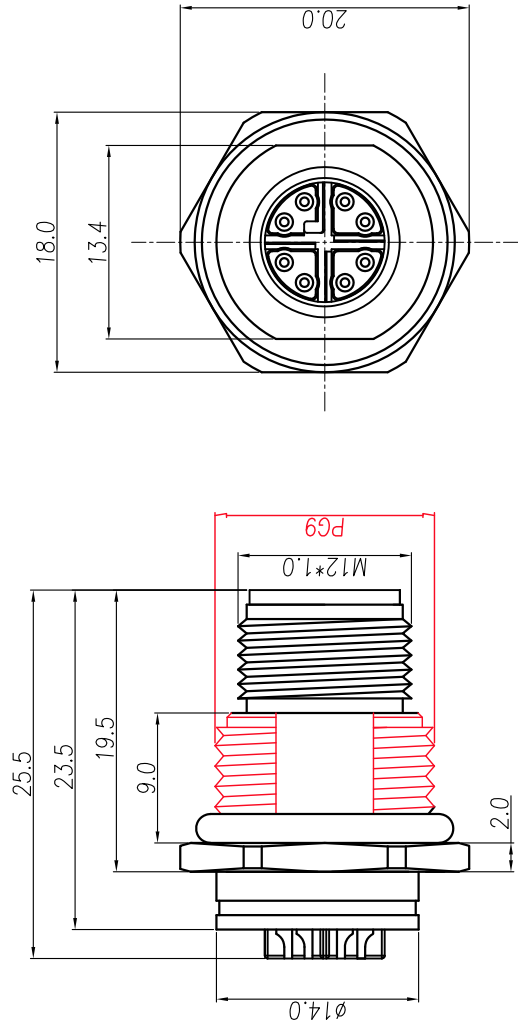


REV.	DESCRIPTION	APPROVED BY	DATE	ECN NO.
A	RELEASE	KUNG	25/03/21*	
B				
C				

* SUBJECT TO CHANGE WITHOUT NOTICE



NUT

RECOMMEND PANEL CUT-OUT

- MATERIAL :
 - HOUSING : PBT ; COLOR : BLACK
 - CONTACT : BRASS
 - NUT : BRASS
 - SHELL : BRASS
 - O-RING : EPDM
 - X-SHELL : Zn ALLOY
- FINISH :
 - CONTACT : 10 MICRO INCHES MIN. GOLD PLATED
UNDER PLATE : NICKEL
 - NUT : NICKEL PLATED
 - SHELL : NICKEL PLATED
 - X-SHELL : NICKEL PLATED
- ELECTRICAL SPECIFICATION :
 - Rated current : 0.5A
 - Rated Voltage : 48V
 - Water proof: IPX7
- Environmental :
 - Operation Temperature : -40°C~85°C

DRAWN	NEIL	APP'D	KUNG	UNIT	mm	TOLERANCE	±0.20 ±0.10 ±0.05 ±0.03	ANGULAR	±1°	TITLE	M12 8P (M) X-CODE FRONT PANEL MOUNT PG9, SOLDER TYPE.	SHEET	1
CHK'D	T M			SCALE	1:1					PART NO.	WP-08M2-117-11	VERSION	A
										DWG.	QC10149		

JKL TECHNOLOGY CO., LTD.

