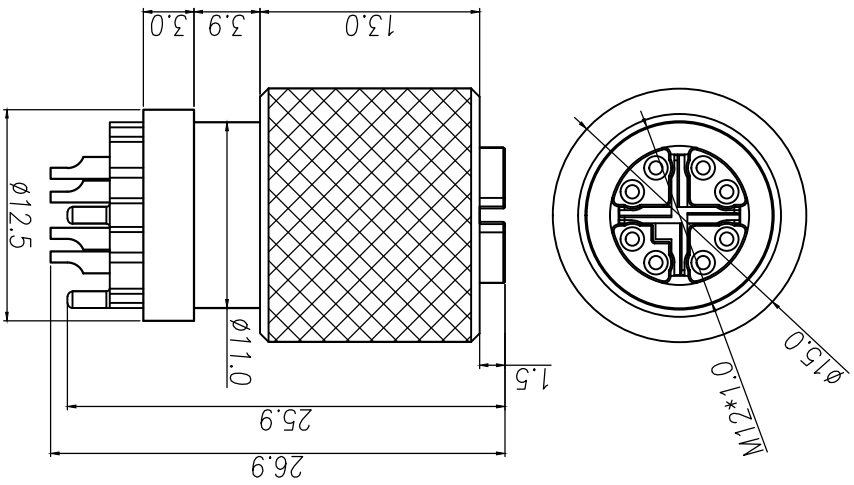
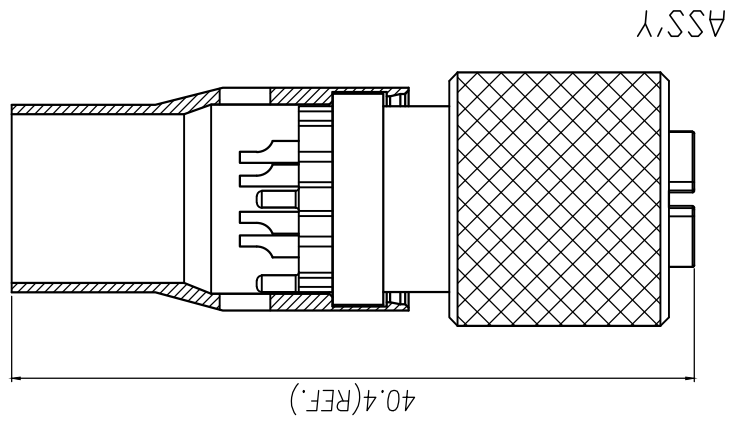


1. MATERIAL : PA66 UL94V-0 ; COLOR : BLACK
- 1-1. HOUSING : PA66 UL94V-0 ; COLOR : BLACK
- 1-2. CONTACT : BRASS
- 1-3. NUT : BRASS
- 1-4. SHELL : BRASS
- 1-5. O-RING : EPDM
- 1-6. X-SHELL : Zn ALLOY
- 1-7. BECK SHELL : BRASS
2. FINISH :
- 2-1. CONTACT : 10 MICRO INCHES MIN. GOLD PLATED
- 2-2. NUT : NICKEL
- 2-2. NUT : NICKEL PLATED
- 2-3. SHELL : NICKEL PLATED
- 2-4. X-SHELL : NICKEL PLATED
- 2-5. BACK SHELL : NICKEL PLATED
3. ELECTRICAL SPECIFICATION :
- 3-1. Rated current : 0.5A
- 3-2. Rated Voltage : 48V
- 3-3. Water proof: IP67/IP68
4. Environmental :
- 4-1. Operation Temperature : -40℃~85℃

TABLE A

PART No.	D1	D2
WP-08F2-121-11	Ø10.00	Ø11.10
WP-08F2-135-11	Ø7.50	Ø8.60



* SUBJECT TO CHANGE WITHOUT NOTICE

REV.	DESCRIPTION	APPROVED BY	DATE	ECN NO.
A	RELEASE	KUNG	06/03/20	
B				
C				