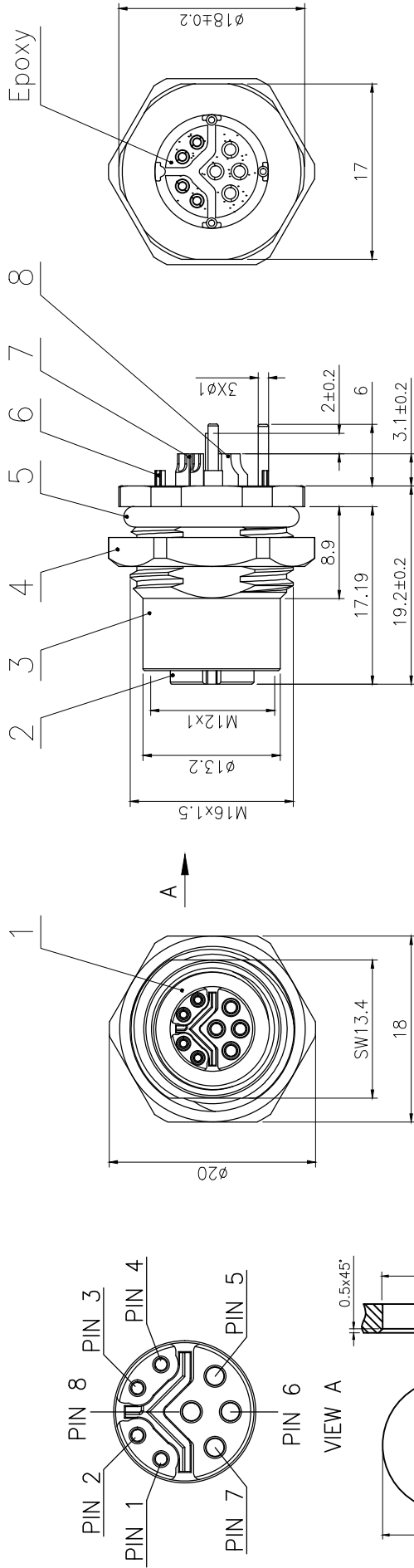




* SUBJECT TO CHANGE WITHOUT NOTICE

REV.	DESCRIPTION	APPROVED BY	DATE	ECN NO.
A	RELEASE	KUNG	2020.04.28	
B				
C				



Technical specifications:		Materials:	
Coupling:	Threaded coupling	Shell material:	Brass nickel plated
Termination:	Soldering	Contact material:	Phosphor bronze Gold plated
Coding:	Y	Insert material:	PA66+GF UL94 black
Pollution degree:	3	Shielding material:	Zinc alloy
Temperature range:	-40°C ~ +80°C	Sealing:	NBR
Degree of protection:	IP67		
Mating cycles:	≥500		
Rated voltage:	50V/60V AC/DC		
Rated current:	0.5A/6A		
Contact resistance:	≤5 mΩ		
Insulation resistance:	≥100 MΩ		
All materials are RoHS compliant			

No.	Specification	Material	Treat	Unit	Q'ty
8	M12 Y Type female contact pin T-186/T-186-L	Copper	Gold plated 3 μ	pc	3/1
7	M12 X Type female contact pin T-171	Copper	Gold plated 3 μ	pc	4
6	M12 Y Type Zinc alloy female shield S-224	Zinc alloy	nickel plated	pc	1
5	M12 Shell O ring φ16X2	NBR	/	pc	1
4	Hexagon nut M16X1.5	Brass	nickel plated	pc	1
3	M12 Panel back mount female socket shell S-202	Brass	nickel plated	pc	1
2	M12 Female Insulator (8 core Y Code)	Nylon	/	pc	1
1	M12 Insulator O ring φ9Xφ6X1.5	NBR	/	pc	1

DRAWN	KU	APPEND	KUNG	UNIT	mm	TOLERANCE	±0.20
CHECKED				SCALE	1:1	x ±0.10	±0.10
						xxx ±0.05	±0.05
						xxxx ±0.03	±0.03
						ANGULA ±1°	±1°
TITLE		M12 Y-CODE (F) FRONT PANEL MOUNT , SOLDIER TYPE.		SHEET		A	
PART NO.		WP-Y08FS-M16		DWG NO.		M12-F-SBY	
VERSION		A		MATERIAL		Material	
JXL TECHNOLOGY CO., LTD.		WP-Y08FS-M16		M12-F-SBY		M12-F-SBY	