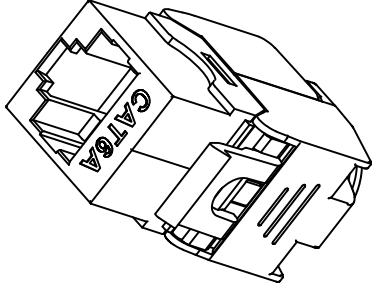
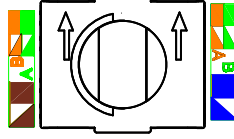
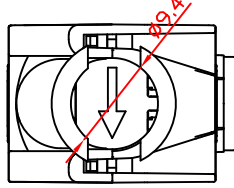
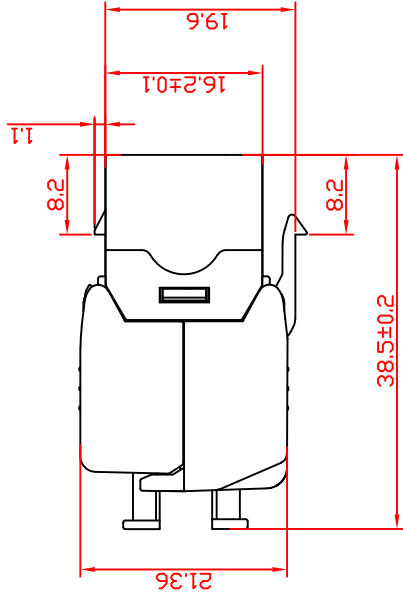
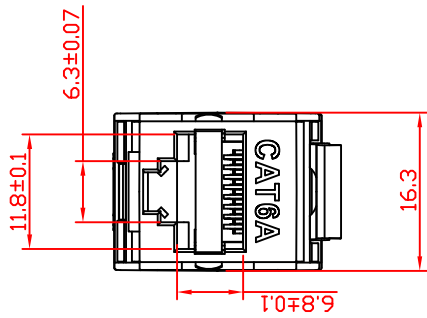
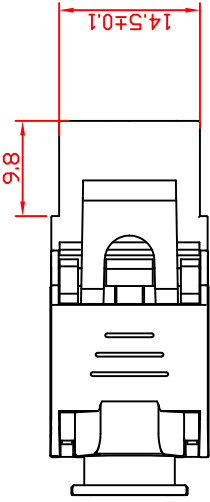




* SUBJECT TO CHANGE WITHOUT NOTICE



NOTES:

- ELECTRICAL:
1. VOLTAGE RATING: 125 VAC RMS
 2. CURRENT RATING: 1.5AMP
 3. CONTACT RESISTANCE: 20MΩ MAX
 4. INSULATION RESISTANCE: 1000 MEGOHMS MIN @500 VDC
 5. DIELECTRIC STRENGTH: 750 VAC RMS 60Hz, 1MIN

ENVIRONMENTAL:

1. STORAGE: -40° TO+85°
2. OPERATION: 0° TO70°

MECHANICAL:

1. THE SHELL MATERIAL: ZINC ALLOY
2. HOUSING MATERIAL: ABS
3. INSERT MATERIAL: FAME RETARDANCY PBT
4. PCB MATERIAL: FR-4 T=1.6mm
5. CONTACT MATERIAL: PHOSPHOR BRONZE STAMP
PIN T=0.30mm
6. IDC CONTACT MATERIAL: PHOSPHOR BRONZE
T=0.50mm WITH TIN PLATING
7. RJ45 JACK ; LIFE: 750 TIMES MIN
8. IDC LIFE: 200 FTIMES MIN
9. WIRE: AWG 23-26

REV.	DESCRIPTION	APPROVED BY	DATE	ECN NO.
A	RELEASE	KUNG	09/05/19*	
B				
C				

DRAWN	Ku Chou	APP'D	KUNG	UNIT	MM	TOLERANCE	.x ±0.20 .xx ±0.10 .xxx ±0.05 .xxxx ±0.03 ANGLA ±1°			JKL TECHNOLOGY CO., LTD.		TITLE	CAT6A SHIELDED KEYSTONE JACK, IDC TYPE.	SHEET	1
	CHK'D									Enly Suen	PART NO.	RJ-S06A-8F-LED	DWG NO.	KJ6A-16-LED	VERSION