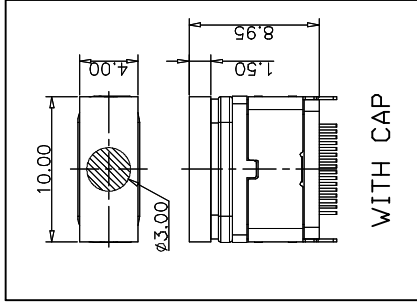
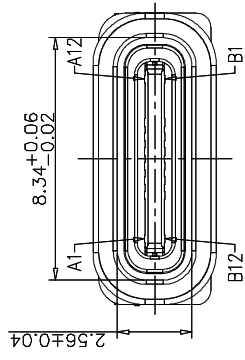


REV.	DESCRIPTION	APPROVED BY	DATE	ECN NO.
A	RELEASE	KUNG	2022.03.10	
B				
C				

* SUBJECT TO CHANGE WITHOUT NOTICE
UNLESS OTHERWISE SPECIFIED, TOLERANCE ON DECIMAL: ±0.3

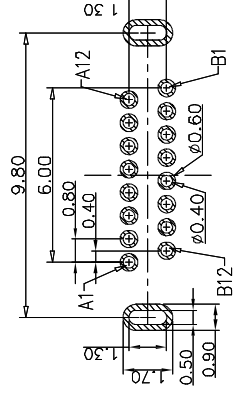
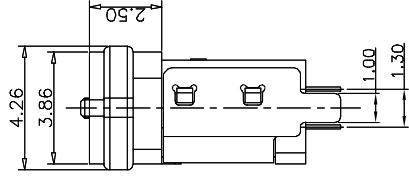
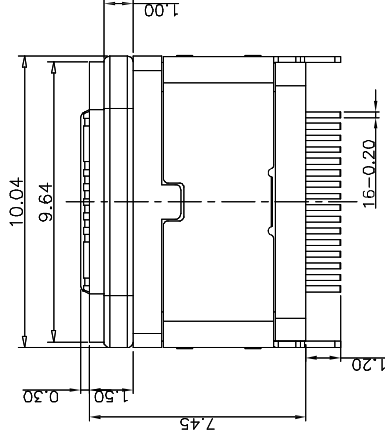


NOTES:

- SPECIFICATION:
 1. CURRENT RATING: 3.0 A
 2. VOLTAGE RATING: 3.0 V
 3. VBUS & GND PINS AND OTHER PINS: 40mΩ/PIN MAX
 SHIELD: 50mΩ/MAX
 LLCR MAX. CHANGE OF ALL PINS: 10Ωm
 4. INSULATION RESISTANCE: 100MΩ/MIN
 5. DIELECTRIC WITHSTAND VOLTAGE, AC 100V FOR 1MINU
 6. INSERTION FORCE: 0.5~2.0kgf
 7. UNMATING FORCE: 0.8~2.0kgf
 8. DURABILITY: 10000 CYCLES
 9. OPERATING TEMPERATURE: -35°C~+85°C
 10. THE PEAK TEMPERATURE ON THE BOARD SHALL BE MAINTAINED FOR 10 SECONDS AT 260°C
 11. WATERPROOF: IP-X7
 12. PACKING: 700 PCS / REEL ; 10 REELS / CTN.

USB TYPE C PIN ASSIGNMENTS

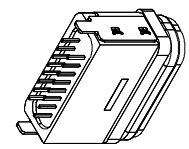
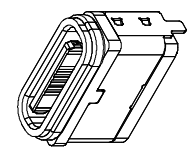
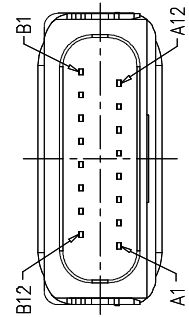
PIN NUMBER	SIGNAL NAME	PIN NUMBER	SIGNAL NAME
A1	GND	B12	GND
A4	VBUS	B9	VBUS
A5	CC1	B8	SBU2
A6	DP1	B7	DN2
A7	DN1	B6	DP2
A8	SBU1	B5	CC2
A9	VBUS	B4	VBUS
A12	GND	B1	GND



RECOMMEND P.C.B LAYOUT
TOLERANCE UNSPECIFIED ±0.05mm

TABLE:

NO	PART	Q'TY	Material
1	PLASTIC SHELL	1	PA UL94 V-0 BLACK
2	CONTACT	16	C7025,TIN80u"/Au3u"/Ni30u"PLATED
3	MID PLATE	1	SUS301,NO PLATING
4	HOUSING	1	LCP UL94 V-0 BLACK
5	SHIELDING PLATE	1	SUS,NI PLATED
6	WATERPROOF RING	1	SILICONE UL94 V-0 BLACK
7	CAP	1	LCP UL94 V-0 BLACK



DRAWN	Ku Chou	APP'D	KUNG	UNIT	mm	TOLERANCE	±0.20 ±0.10 ±0.05 ±0.03
CHK'D	Enly Suen			SCALE	1:1	ANGULA	±1°
TITLE		UPRIGHT USB TYPE C, 16P, DIP TYPE.		PART NO.		USBCF079-S008	
DRAWN		KUNG		DWG NO.		USCF079-S008	
CHK'D		Enly Suen		PART NO.		USBCF079-S008	
DRAWN		KUNG		DWG NO.		USCF079-S008	
CHK'D		Enly Suen		PART NO.		USBCF079-S008	
DRAWN		KUNG		DWG NO.		USCF079-S008	
CHK'D		Enly Suen		PART NO.		USBCF079-S008	
DRAWN		KUNG		DWG NO.		USCF079-S008	
CHK'D		Enly Suen		PART NO.		USBCF079-S008	
DRAWN		KUNG		DWG NO.		USCF079-S008	
CHK'D		Enly Suen		PART NO.		USBCF079-S008	
DRAWN		KUNG		DWG NO.		USCF079-S008	
CHK'D		Enly Suen		PART NO.		USBCF079-S008	
DRAWN		KUNG		DWG NO.		USCF079-S008	
CHK'D		Enly Suen		PART NO.		USBCF079-S008	
DRAWN		KUNG		DWG NO.		USCF079-S008	
CHK'D		Enly Suen		PART NO.		USBCF079-S008	
DRAWN		KUNG		DWG NO.		USCF079-S008	
CHK'D		Enly Suen		PART NO.		USBCF079-S008	
DRAWN		KUNG		DWG NO.		USCF079-S008	
CHK'D		Enly Suen		PART NO.		USBCF079-S008	
DRAWN		KUNG		DWG NO.		USCF079-S008	
CHK'D		Enly Suen		PART NO.		USBCF079-S008	
DRAWN		KUNG		DWG NO.		USCF079-S008	
CHK'D		Enly Suen		PART NO.		USBCF079-S008	
DRAWN		KUNG		DWG NO.		USCF079-S008	
CHK'D		Enly Suen		PART NO.		USBCF079-S008	
DRAWN		KUNG		DWG NO.		USCF079-S008	
CHK'D		Enly Suen		PART NO.		USBCF079-S008	
DRAWN		KUNG		DWG NO.		USCF079-S008	
CHK'D		Enly Suen		PART NO.		USBCF079-S008	
DRAWN		KUNG		DWG NO.		USCF079-S008	
CHK'D		Enly Suen		PART NO.		USBCF079-S008	
DRAWN		KUNG		DWG NO.		USCF079-S008	
CHK'D		Enly Suen		PART NO.		USBCF079-S008	
DRAWN		KUNG		DWG NO.		USCF079-S008	
CHK'D		Enly Suen		PART NO.		USBCF079-S008	
DRAWN		KUNG		DWG NO.		USCF079-S008	
CHK'D		Enly Suen		PART NO.		USBCF079-S008	
DRAWN		KUNG		DWG NO.		USCF079-S008	
CHK'D		Enly Suen		PART NO.		USBCF079-S008	
DRAWN		KUNG		DWG NO.		USCF079-S008	
CHK'D		Enly Suen		PART NO.		USBCF079-S008	
DRAWN		KUNG		DWG NO.		USCF079-S008	
CHK'D		Enly Suen		PART NO.		USBCF079-S008	
DRAWN		KUNG		DWG NO.		USCF079-S008	
CHK'D		Enly Suen		PART NO.		USBCF079-S008	
DRAWN		KUNG		DWG NO.		USCF079-S008	
CHK'D		Enly Suen		PART NO.		USBCF079-S008	
DRAWN		KUNG		DWG NO.		USCF079-S008	
CHK'D		Enly Suen		PART NO.		USBCF079-S008	
DRAWN		KUNG		DWG NO.		USCF079-S008	
CHK'D		Enly Suen		PART NO.		USBCF079-S008	
DRAWN		KUNG		DWG NO.		USCF079-S008	
CHK'D		Enly Suen		PART NO.		USBCF079-S008	
DRAWN		KUNG		DWG NO.		USCF079-S008	
CHK'D		Enly Suen		PART NO.		USBCF079-S008	
DRAWN		KUNG		DWG NO.		USCF079-S008	
CHK'D		Enly Suen		PART NO.		USBCF079-S008	
DRAWN		KUNG		DWG NO.		USCF079-S008	
CHK'D		Enly Suen		PART NO.		USBCF079-S008	
DRAWN		KUNG		DWG NO.		USCF079-S008	
CHK'D		Enly Suen		PART NO.		USBCF079-S008	
DRAWN		KUNG		DWG NO.		USCF079-S008	
CHK'D		Enly Suen		PART NO.		USBCF079-S008	
DRAWN		KUNG		DWG NO.		USCF079-S008	
CHK'D		Enly Suen		PART NO.		USBCF079-S008	
DRAWN		KUNG		DWG NO.		USCF079-S008	
CHK'D		Enly Suen		PART NO.		USBCF079-S008	
DRAWN		KUNG		DWG NO.		USCF079-S008	
CHK'D		Enly Suen		PART NO.		USBCF079-S008	
DRAWN		KUNG		DWG NO.		USCF079-S008	
CHK'D		Enly Suen		PART NO.		USBCF079-S008	
DRAWN		KUNG		DWG NO.		USCF079-S008	
CHK'D		Enly Suen		PART NO.		USBCF079-S008	
DRAWN		KUNG		DWG NO.		USCF079-S008	
CHK'D		Enly Suen		PART NO.		USBCF079-S008	
DRAWN		KUNG		DWG NO.		USCF079-S008	
CHK'D		Enly Suen		PART NO.		USBCF079-S008	
DRAWN		KUNG		DWG NO.		USCF079-S008	
CHK'D		Enly Suen		PART NO.		USBCF079-S008	
DRAWN		KUNG		DWG NO.		USCF079-S008	
CHK'D		Enly Suen		PART NO.		USBCF079-S008	
DRAWN		KUNG		DWG NO.		USCF079-S008	
CHK'D		Enly Suen		PART NO.		USBCF079-S008	
DRAWN		KUNG		DWG NO.		USCF079-S008	
CHK'D		Enly Suen		PART NO.		USBCF079-S008	
DRAWN		KUNG		DWG NO.		USCF079-S008	
CHK'D		Enly Suen		PART NO.		USBCF079-S008	
DRAWN		KUNG		DWG NO.		USCF079-S008	
CHK'D		Enly Suen		PART NO.		USBCF079-S008	
DRAWN		KUNG		DWG NO.		USCF079-S008	
CHK'D		Enly Suen		PART NO.		USBCF079-S008	
DRAWN		KUNG		DWG NO.		USCF079-S008	
CHK'D		Enly Suen		PART NO.		USBCF079-S008	
DRAWN		KUNG		DWG NO.		USCF079-S008	
CHK'D		Enly Suen		PART NO.		USBCF079-S008	
DRAWN		KUNG		DWG NO.		USCF079-S008	
CHK'D		Enly Suen		PART NO.		USBCF079-S008	
DRAWN		KUNG		DWG NO.		USCF079-S008	
CHK'D		Enly Suen		PART NO.		USBCF079-S008	
DRAWN		KUNG		DWG NO.		USCF079-S008	
CHK'D		Enly Suen		PART NO.		USBCF079-S008	
DRAWN		KUNG		DWG NO.		USCF079-S008	
CHK'D		Enly Suen		PART NO.		USBCF079-S008	
DRAWN		KUNG		DWG NO.		USCF079-S008	
CHK'D		Enly Suen		PART NO.		USBCF079-S008	
DRAWN		KUNG		DWG NO.		USCF079-S008	
CHK'D		Enly Suen		PART NO.		USBCF079-S008	
DRAWN		KUNG		DWG NO.		USCF079-S008	
CHK'D		Enly Suen		PART NO.		USBCF079-S008	
DRAWN		KUNG		DWG NO.		USCF079-S008	
CHK'D		Enly Suen		PART NO.		USBCF079-S008	
DRAWN		KUNG		DWG NO.		USCF079-S008	
CHK'D		Enly Suen		PART NO.		USBCF079-S008	
DRAWN		KUNG		DWG NO.		USCF079-S008	
CHK'D		Enly Suen		PART NO.		USBCF079-S008	
DRAWN		KUNG		DWG NO.		USCF079-S008	
CHK'D		Enly Suen		PART NO.		USBCF079-S008	
DRAWN		KUNG		DWG NO.		USCF079-S008	
CHK'D		Enly Suen		PART NO.		USBCF079-S008	
DRAWN		KUNG		DWG NO.		USCF079-S008	
CHK'D		Enly Suen		PART NO.		USBCF079-S008	
DRAWN		KUNG		DWG NO.		USCF079-S008	
CHK'D		Enly Suen		PART NO.		USBCF079-S008	
DRAWN		KUNG		DWG NO.		USCF079-S008	
CHK'D		Enly Suen		PART NO.		USBCF079-S008	
DRAWN		KUNG		DWG NO.		USCF079-S008	
CHK'D		Enly Suen		PART NO.		USBCF079-S008	
DRAWN		KUNG		DWG NO.		USCF079-S008	
CHK'D		Enly Suen		PART NO.		USBCF079-S008	
DRAWN		KUNG		DWG NO.		USCF079-S008	
CHK'D		Enly Suen		PART NO.		USBCF079-S008	
DRAWN		KUNG		DWG NO.		USCF079-S008	
CHK'D		Enly Suen		PART NO.		USBCF079-S008	
DRAWN		KUNG		DWG NO.		USCF079-S008	
CHK'D		Enly Suen		PART NO.		USBCF079-S008	
DRAWN		KUNG		DWG NO.		USCF079-S008	
CHK'D		Enly Suen		PART NO.		USBCF079-S008	
DRAWN		KUNG		DWG NO.		USCF079-S008	
CHK'D		Enly Suen		PART NO.		USBCF079-S008	
DRAWN		KUNG		DWG NO.		USCF079-S008	
CHK'D		Enly Suen		PART NO.		USBCF079-S008	
DRAWN		KUNG		DWG NO.		USCF079-S008	
CHK'D		Enly Suen		PART NO.		USBCF079-S008	
DRAWN		KUNG		DWG NO.		USCF079-S008	
CHK'D		Enly Suen		PART NO.		USBCF079-S008	
DRAWN		KUNG		DWG NO.		USCF079-S008	
CHK'D		Enly Suen		PART NO.		USBCF079-S008	
DRAWN		KUNG		DWG NO.		USCF079-S008	
CHK'D		Enly Suen		PART NO.		USBCF079-S008	
DRAWN		KUNG		DWG NO.		USCF079-S008	
CHK'D		Enly Suen		PART NO.		USBCF079-S008	
DRAWN		KUNG		DWG NO.		USCF079-S008	
CHK'D		Enly Suen		PART NO.		USBCF079-S008	
DRAWN		KUNG		DWG NO.		USCF079-S008	
CHK'D		Enly Suen		PART NO.		USBCF079-S008	
DRAWN		KUNG		DWG NO.		USCF079-S008	
CHK'D		Enly Suen		PART NO.		USBCF079-S008	
DRAWN		KUNG		DWG NO.		USCF079-S008	
CHK'D		Enly Suen		PART NO.		USBCF079-S008	
DRAWN		KUNG		DWG NO.		USCF079-S008	
CHK'D		Enly Suen		PART NO.		USBCF079-S008	
DRAWN		KUNG		DWG NO.		USCF079-S008	
CHK'D		Enly Suen		PART NO.		USBCF079-S008	
DRAWN		KUNG		DWG NO.		USCF079-S008	
CHK'D		Enly Suen		PART NO.		USBCF079-S008	