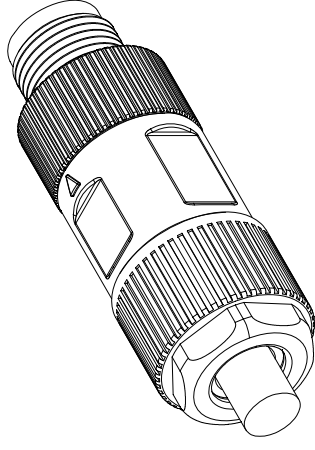
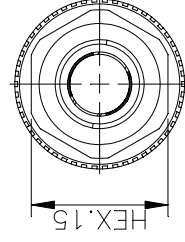
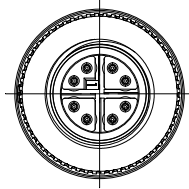
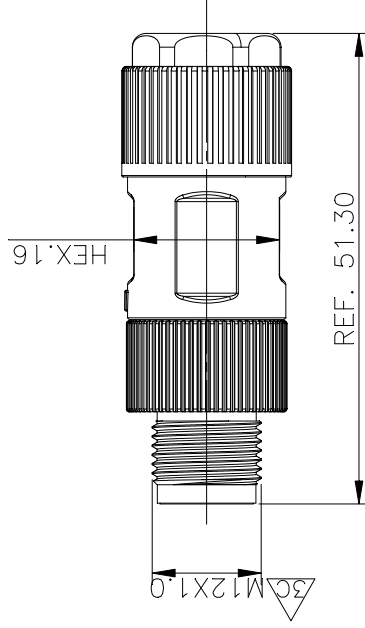
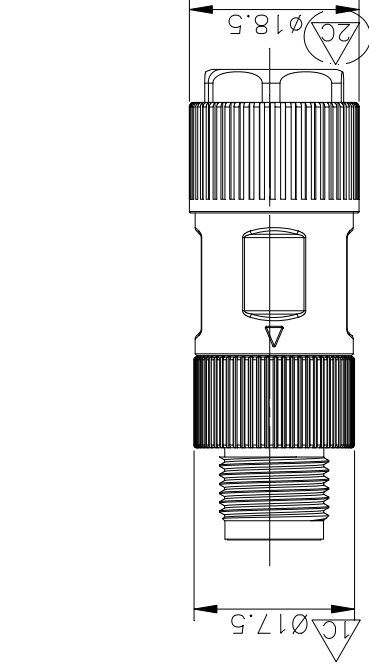
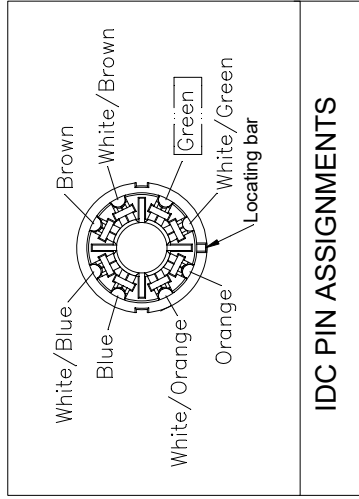




* SUBJECT TO CHANGE WITHOUT NOTICE



REV.	DESCRIPTION	APPROVED BY	DATE	ECN NO.
A	RELEASE	KUNG	13/07/18*	
B				
C				

Note:

1. Housing: Zinc Alloy, Nickel Plated.
2. Nut: Brass, Nickel Plated.
3. Contact: PBR, Gold Over Nickel Plated.
4. Plastic Housing: Engineering Thermoplastic UL 94V-0
5. Wire: 22AWG~26AWG
6. Two Cable O-rings For Cables With 5.5-6.0mm And
7. 5-8.0mm Outer Diameters
8. IDC TYPE FOR TERMINATION

Specifications:

1. Poles: 8 Pin.
2. Rated Voltage: 48V.
3. Rated Current: 0.5A.
5. Insulation resistance: >100MΩ.
7. Temperature range: -25°C~85°C.
8. Transmission performance: Cat 6A.

DRAWN	Ku Chou		UNIT	mm		TOLERANCE	.x ±0.20 .xx ±0.10 .xxx ±0.05 .xxxx ±0.03	
	CHK'D	Emily Suen		SCALE	1:1		ANGULA ±1°	
	APP'D		KUNG		TITLE			
					M12 8PIN(M) IDC X-coded Assembly type			
					PART NO.		WP-08M2-149-IDC	
					DWG NO.		4007L80000	
					SHEET		1/2	
					VERSION		A	

JKL TECHNOLOGY CO., LTD.

